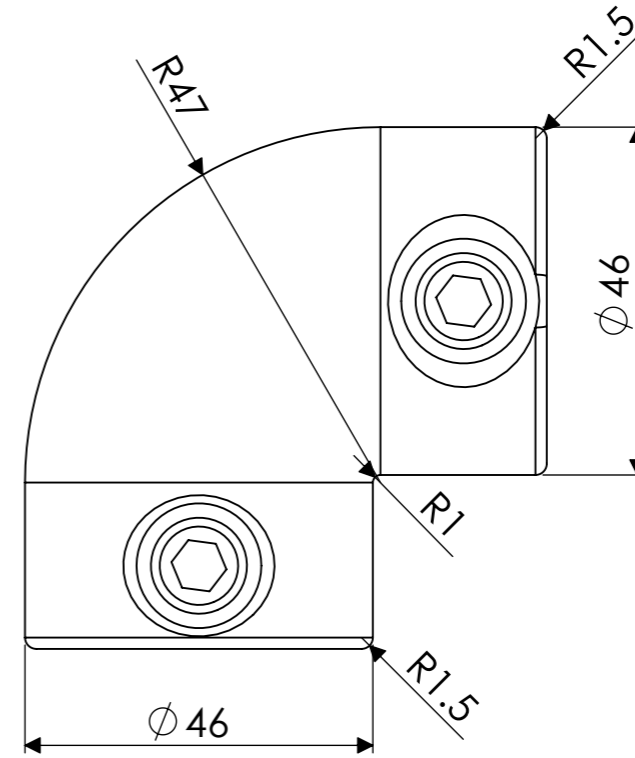
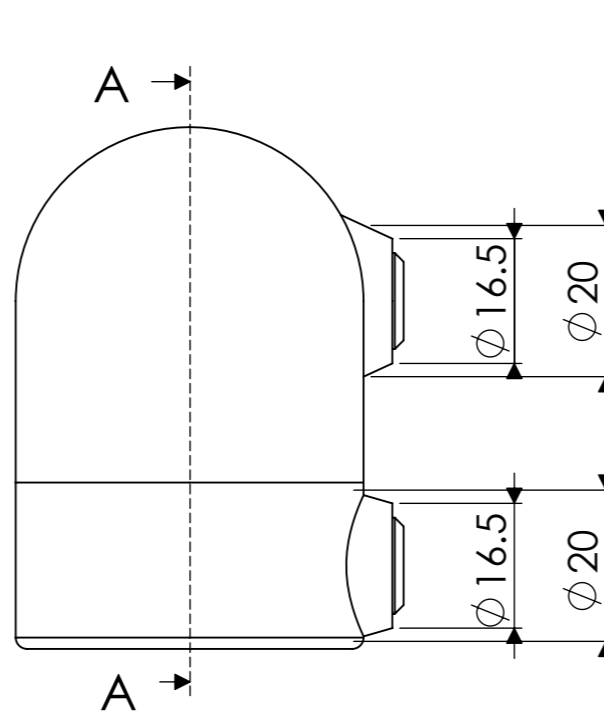
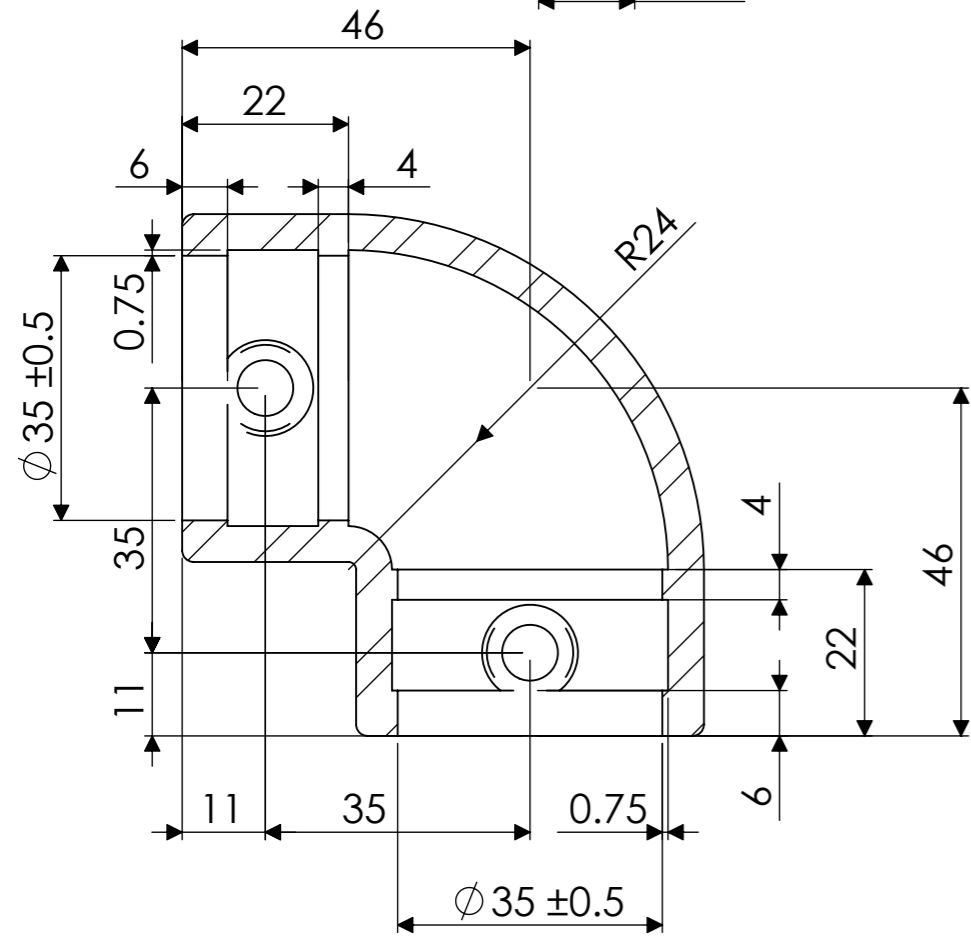
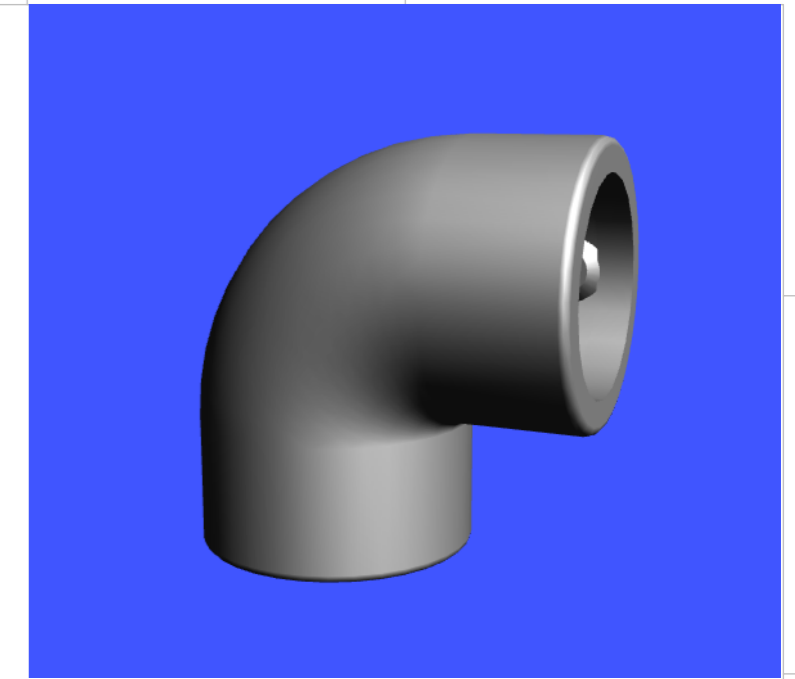
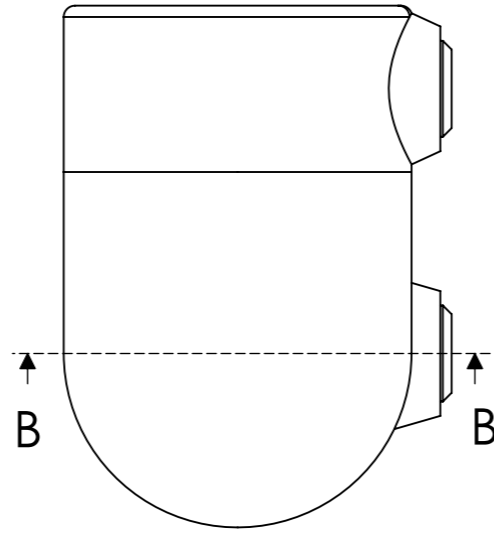
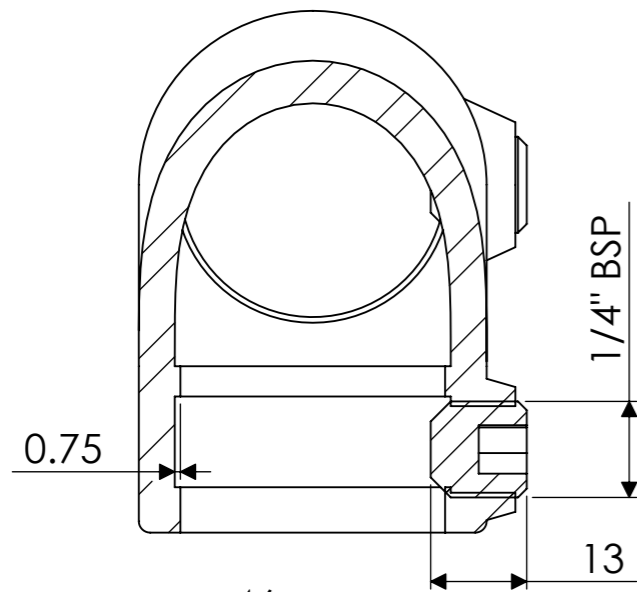
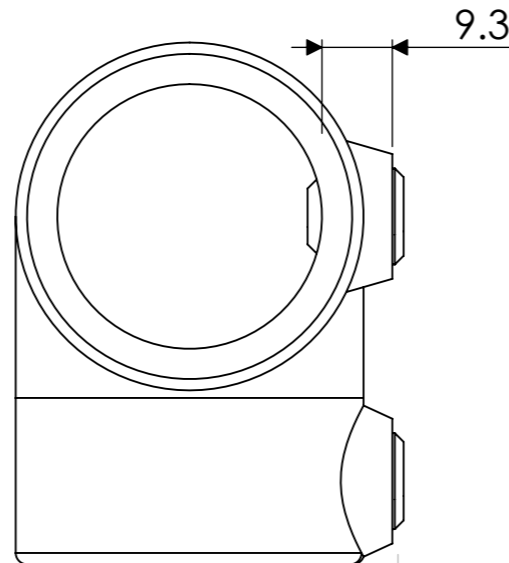


SECTION B-B



SECTION A-A



UNLESS OTHERWISE SPECIFIED: DIMENSIONS ARE IN MILLIMETERS		THE INFORMATION CONTAINED IN THIS DRAWING IS THE SOLE PROPERTY OF <b>MASTERKLAMP</b> . ANY REPRODUCTION IN PART OR AS A WHOLE WITHOUT THE WRITTEN PERMISSION OF <b>MASTERKLAMP</b> IS PROHIBITED.		DEBUR AND BREAK SHARP EDGES		DO NOT SCALE DRAWING		REVISION	
SURFACE FINISH: GENERAL TOLERANCES: LINEAR: $\pm 1$ mm ANGULAR:						Designed By		<b>MASTERKLAMP</b>	
						TITLE:		<b>Elbow 90° 3.01.34</b>	
DRAWN		NAME		SIGNATURE		DATE		REV 01	
CHK'D								SHAPE OF FRAME 1	
APPV'D									
MFG									
Q.A						MATERIAL:		DWG NO.	
								3.01.34	
						WEIGHT:		SCALE:1:1	
								SHEET 1 OF 1	