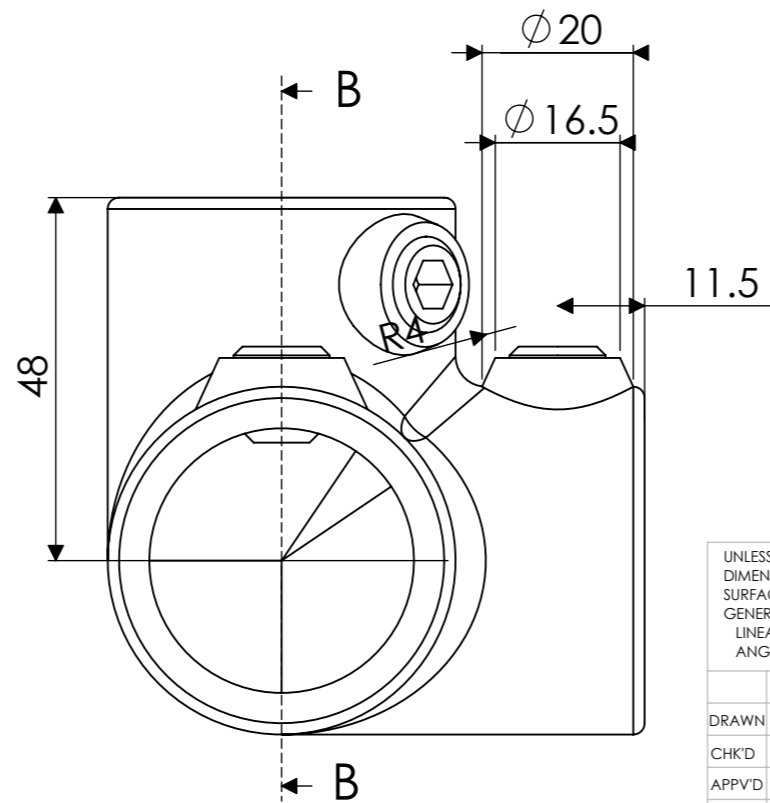
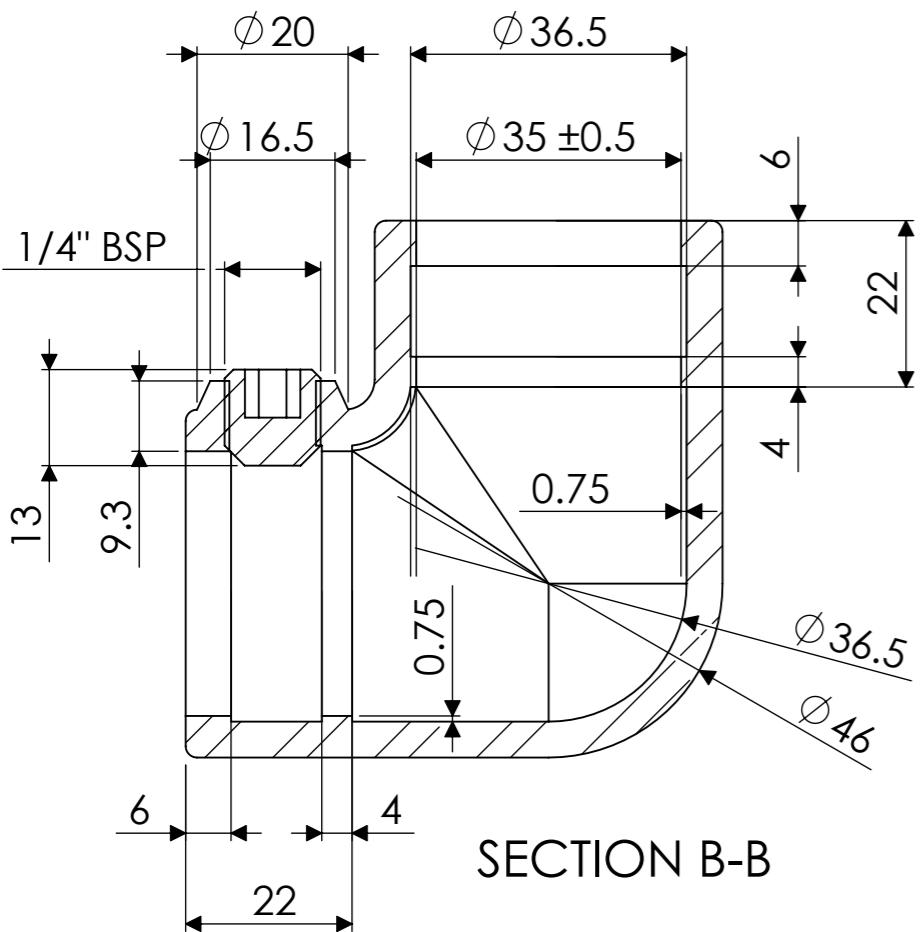
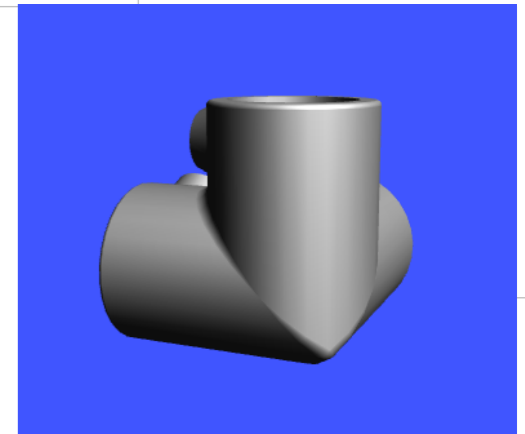
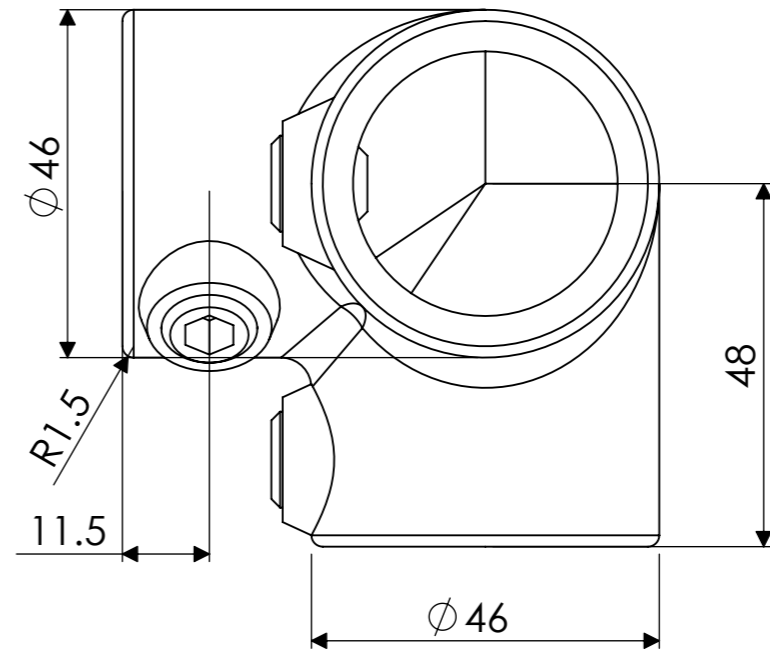
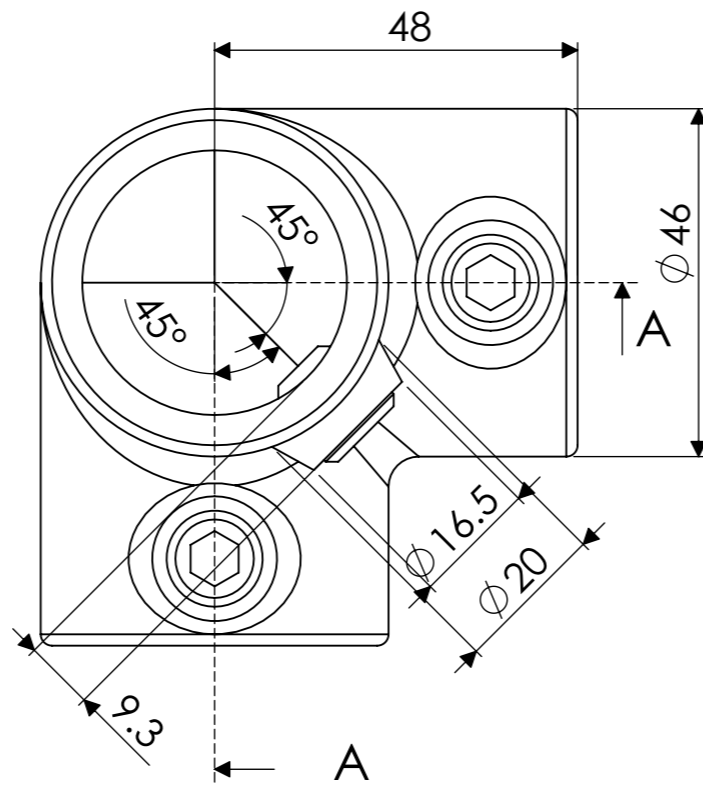
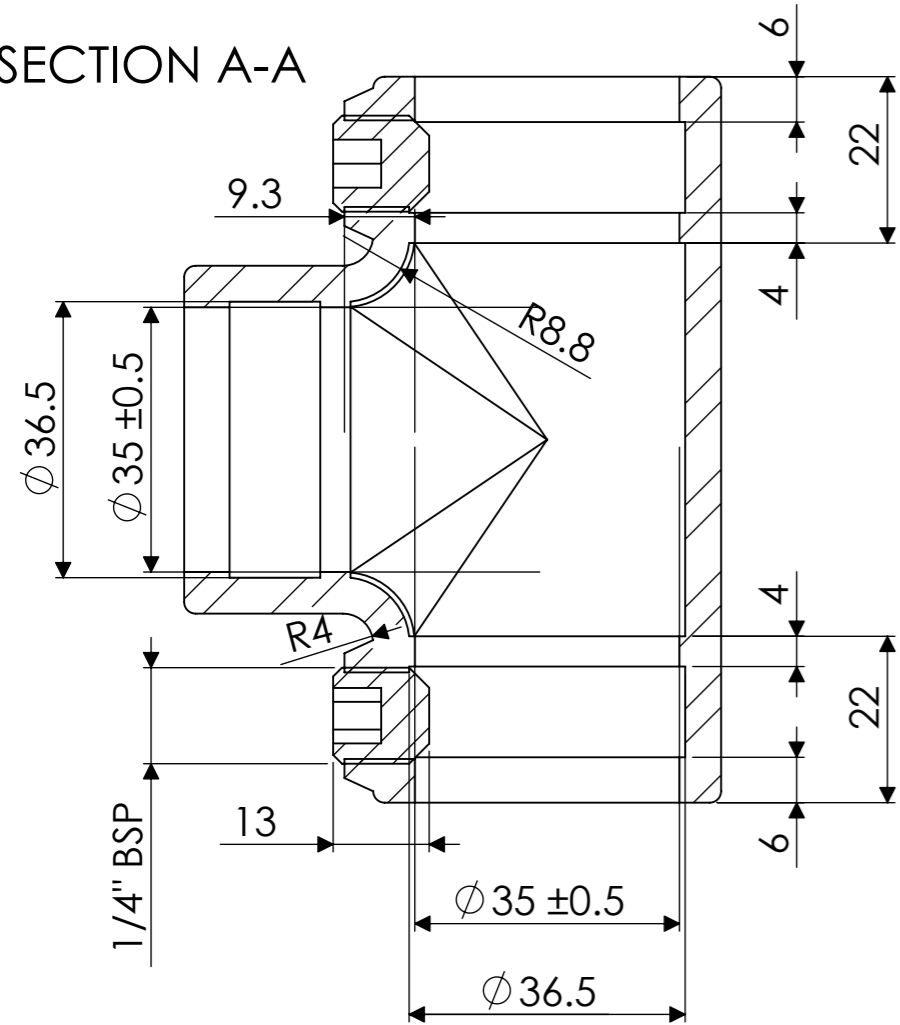


SECTION A-A



UNLESS OTHERWISE SPECIFIED: DIMENSIONS ARE IN MILLIMETERS SURFACE FINISH: GENERAL TOLERANCES: LINEAR: ± 1mm ANGULAR:					THE INFORMATION CONTAINED IN THIS DRAWING IS THE SOLE PROPERTY OF <b>MASTERKLAMP</b> . ANY REPRODUCTION IN PART OR AS A WHOLE WITHOUT THE WRITTEN PERMISSION OF <b>MASTERKLAMP</b> IS PROHIBITED.					DEBUR AND BREAK SHARP EDGES		DO NOT SCALE DRAWING		REVISION																														
DRAWN					NAME					SIGNATURE					DATE					REV 01					SHAPE OF FRAME 1					TITLE:														
CHK'D																														Designed By <b>MASTERKLAMP</b>														
APPV'D																														Three Way Top Corner 2.03.34														
MFG																														DWG NO.														
Q.A																														2.03.34					A3									
																																			SCALE:1:1					SHEET 1 OF 1				